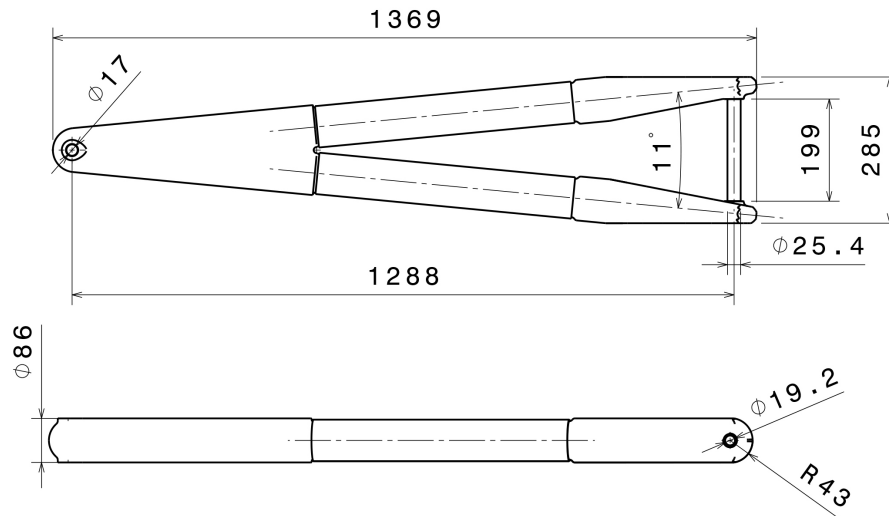


Customer:
Yacht:
Contact name:
Contact info:

Order date:
PO #:



MAXIMUM ALLOWABLE TACK LINE LOAD 2250 kg/4950 lb

Dimensions	Color	Material	Surface	Shaft
Per drawing above	White	Carbon Fiber	UV Resistant Clear Polyurethane	Titanium Diam: 25.4mm

Notes:

- The Trogear MAXI bowsprit will be customized to meet the specs shown above.
- Lead time: Shipping is 2 weeks from full payment.
- Customer will fabricate SS brackets for installation - recommend 10mm thickness.

Cost	Custom Fee	TVA 20%	Shipping	TOTAL

APPROVAL to PROCEED

Name:

Date:

Signature: