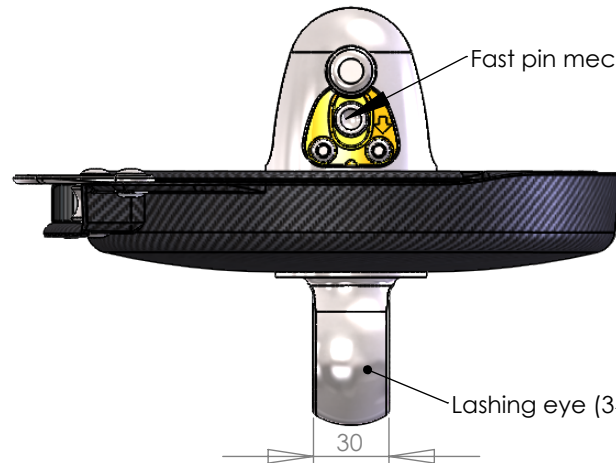
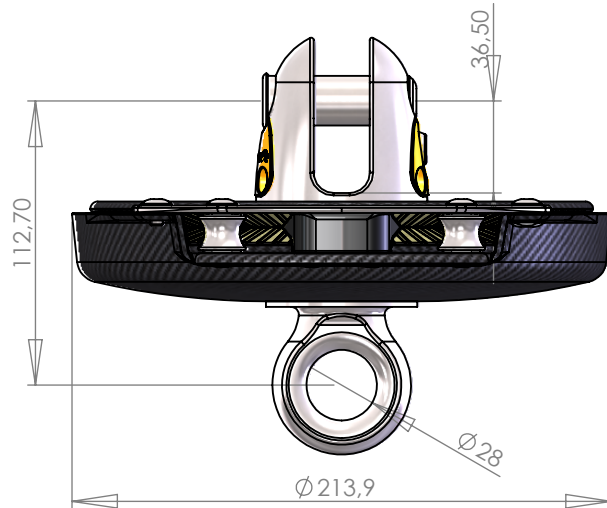


Lashing eye (295g included)

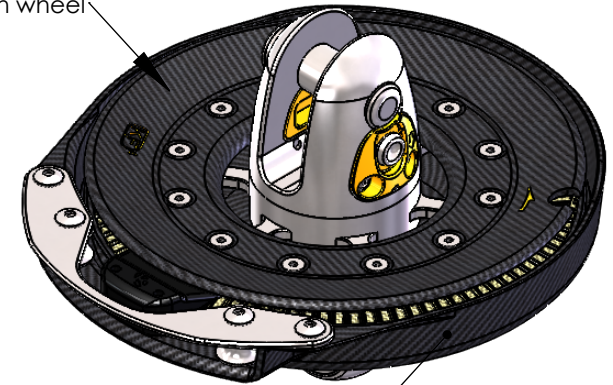
Silicone protection



Fast pin mechanism

Lashing eye (340g included)

Carbon wheel



Carbon spool

Désignation: **Emmagasineur Racing V3**

Description: *V3 Racing furler*

Maximum Working Load : 12T
Charge de travail

Breaking Load : 24T
Charge de Rupture

Material :
Matière

Masse : 3678.99 (g)

Système:
KFR12.0

Type	Famille	Code	Indice
PF 300		1200 [R]	

Plus d'informations sur www.karver-systems.com - More information on www.karver-systems.com

Echelle	Format	Folio
1:3	A4	1/1

KARVER
sailing experience

Av. Marcel Liabastre 14600 HONFLEUR
Tel : 02 31 88 37 98

All rights reserved